

Water Technologies

Micro-Champ® Series 4" Submersible Chemical Induction Unit (Model No. SWCO.5F)

Product Sheet

SIEMENS

The Micro-Champ® Series 4" System is the smallest submersible chemical induction unit in the Water Champ® F Series product line. Like the Water Champ® units, the Micro-Champ® unit offers instantaneous diffusion/mixing and the highest level of durability and performance required for chemical feed applications – only at a smaller size for use at smaller water and wastewater treatment facilities.

The hermetically sealed 316 SS motor offers the highest level of durability and performance required for chemical feed applications. Most wetted materials are constructed from Grade 2 Titanium (unalloyed) and are designed for use with most treatment chemicals. The mounting bracket is engineered for installing in open-channel applications and can be easily retrofitted to existing basins and tanks.

The Micro-Champ® Chemical Injection Unit provides gas feed up to 100 lbs./day and liquid feed up to 5 GPM.

Specifications:

Model No.	HP (KW)	Maximum Gas Induction CL ² PPD/kgD	Maximum Liquid Induction GPM (l/min)	Maximum Vacuum (in. Hg) (KpA)
SWCO.5F	1/2 (.37)	100** (45.3)	5** (19)	18 (.61)

**Feed rates are application dependent (Consult factory)

Features:

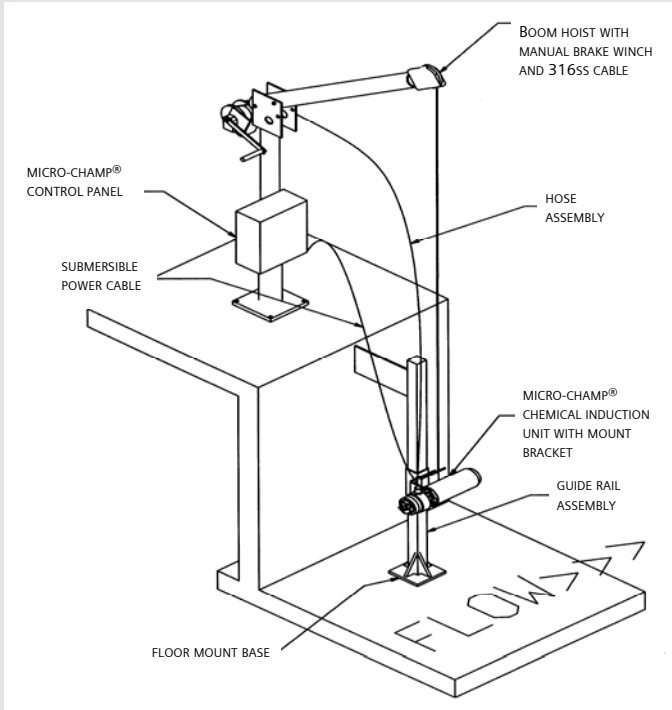
Titanium Wetted Parts
Rugged Construction
Heavy Duty Bearing Design
Internal Overload Protection



Benefits of the Micro-Champ® Chemical Injection Unit include:

- Instantaneous diffusion for maximum chemical mixing
- Energy & chemical savings
- Maximum chemical concentration with no off-gassing
- Warranty – 1 year from start-up or 18 months after delivery
- Custom materials available to meet customer application needs.

Typical Installation



Part	Material
Vacuum Chamber	Titanium
Vacuum Port	Titanium
Vacuum Enhancer	Non-Metallic
Propeller	Titanium
Propeller Bolt	Titanium
Shaft	Titanium
Mechanical Seal	Carbon / Ceramic
Motor	316 Stainless Steel
Power Cable	SOOW (25 feet standard)
Hardware	316 Stainless Steel

Motor Performance Data

Model	HP (KW)	Volts	Phase	Hertz	RPM	Insulation	S.F.	FLA Rated Input Amps	SFA Max. Input Amps	Locked Rotor Amps	Power Factor %			Efficiency %		
											S.F.	F.L.	3/4	S.F.	F.L.	3/4
SWC0.5F	1/2 (.37)	200	3	60	3450	Class B	1.60	2.8	3.4	17.5	75.8	61.0	52.5	70.0	64.0	58.0
SWC0.5F	1/2 (.37)	230	3	60	3450	Class B	1.60	2.4	2.9	15.2	75.8	61.0	52.5	70.0	64.0	58.0
SWC0.5F *	1/2 (.37)	230	1	60	3450	Class B	1.60	Y 5.0 B 5.0 R 0	Y 6.0 B 6.0 R 0	23.0	74.0	62.0	53.0	64.0	59.0	53.0
SWC0.5F	1/2 (.37)	460	3	60	3450	Class B	1.60	1.2	1.5	7.6	75.8	64.0	52.5	70.0	64.0	58.0
SWC0.5F	1/2 (.37)	115	1	60	3450	Class B	1.60	Y 10.0 B 10.0 R 0	Y 12.0 B 12.0 R 0	50.5	73.0	58.0	50.0	62.0	55.0	49.0

Water Champ and Micro-Champ are trademarks of Siemens, its subsidiaries or affiliates.

The information provided in this brochure contains merely general descriptions or characteristics of performance which in actual case of use do not always apply as described or which may change as a result of further development of the products. An obligation to provide the respective characteristics shall only exist if expressly agreed in the terms of the contract.

Siemens
 Water Technologies
 595 Industrial Drive
 Bradley, IL 60915, USA
 800.809.0971 phone
 www.usfilter.com
 stranco.water@siemens.com

Literature No. ST-MCWCO.5-DS-0906
 Subject to change without notice.
 ©2006 Siemens Water Technologies Corp.