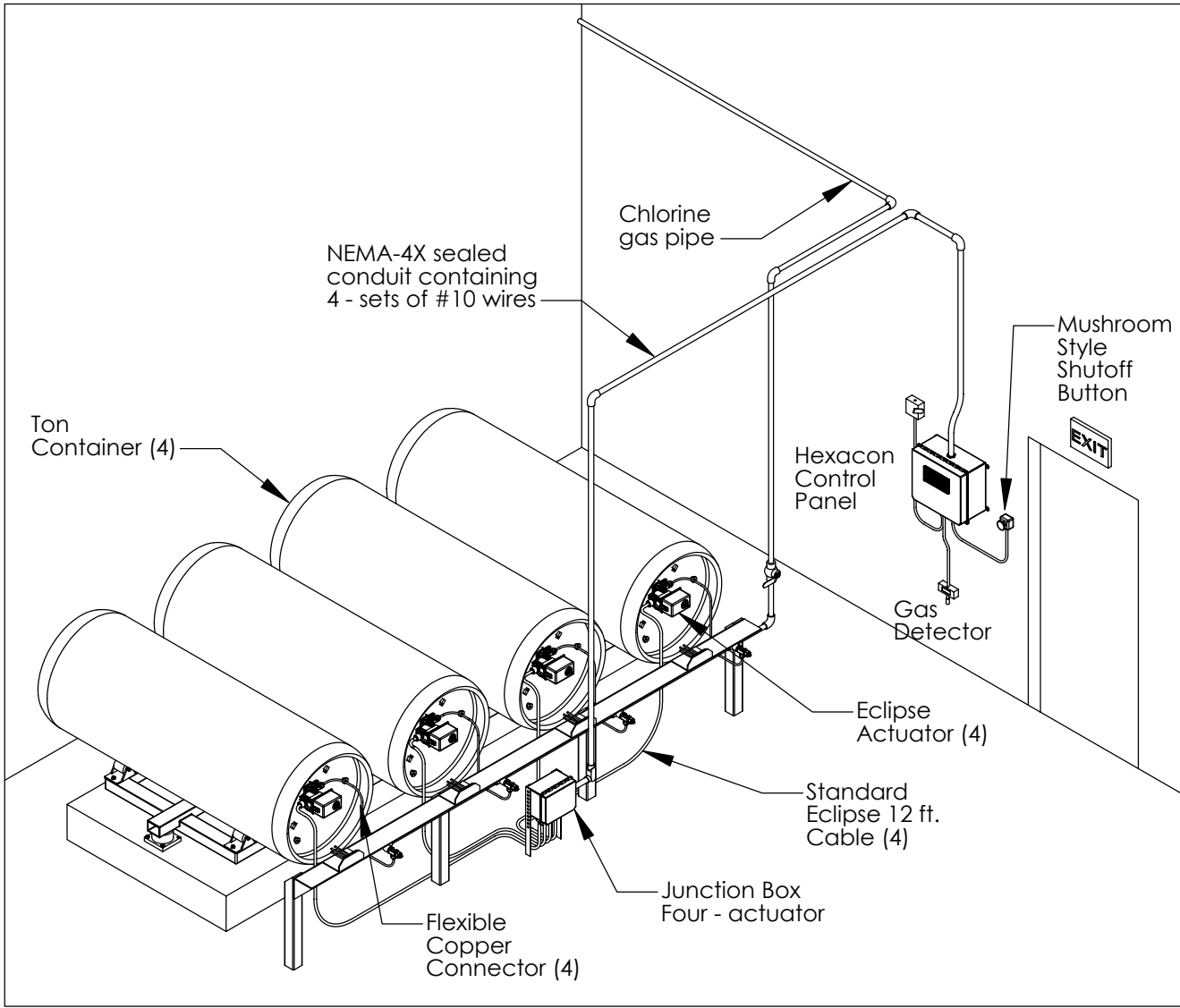


		REVISIONS			
ZONE	REV.	DESCRIPTION		DATE	APPROVED



<b>HALOGEN</b> VALVE SYSTEMS, INC.	17961 Sky Park Circle, Suite A Irvine, CA 92614 tel: (877) 476-4222 fax: (949) 261-5033	DATE	PART NO.	NAME	
		3/12/2004	With Annotations	Ton Containerw with J-Box	
FILE NAME	SCALE	SIZE	DWG. NO.	REV.	
Typical Hexacon System -Sheet 2	1:38		07600.01		